

Model	Capacity @ 500mm LC	Range @ 24" LC	Voltage	Controller
2015A	1,500 kg	3,000 lbs	48 volt	SME AC (Italy)
2018A	1,800 kg	3,500 lbs	48 volt	SME AC (Italy)
2020A	2,000 kg	4,000 lbs	48 volt	SME AC (Italy)

# 2015-20A

FORKLIFTS

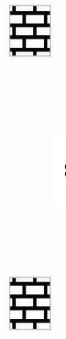


TOUGH WORLD. TOUGH EQUIPMENT.

# 2015-20A

## Electric 4-wheel Pneumatic Tire Forklifts

			LiuGong		LiuGong		LiuGong	
			2015A	2018A	2018A	2020A		
General	1	Make						
	2	Model						
	3	Power Type			Electric	Electric	Electric	Electric
	4	Unit of Measure			Imperial	Metric	Imperial	Metric
	5	Operator Type			Sit-Down Rider	Sit-Down Rider	Sit-Down Rider	Sit-Down Rider
	6	Base Capacity	@ rated load center	lbs [kg]	3000 1500	3500 1800	4000 2000	2000
	7	Load Center		in [mm]	24.0 500	24.0 500	24.0 500	500
Weights	8	Service Weight	unloaded with minimum weight battery	lbs [kg]	6724 3050	7275 3300	7937 3600	3600
	9	Axle Load	loaded, front	lbs [kg]	8801 3992	9936 4507	10820 4908	4908
	10		loaded, rear	lbs [kg]	1230 558	1307 593	1526 692	692
	11		unloaded, front	lbs [kg]	3355 1522	3415 1549	3900 1769	1769
	12		unloaded, rear	lbs [kg]	3369 1528	3860 1751	4037 1831	1831
Tires	13	Tire Type			Pneumatic	Pneumatic	Pneumatic	
	14	Wheels	front / rear		2 / 2	2 / 2	2 / 2	
	15	Wheelbase		in [mm]	52.8 1340	52.8 1340	59.4 1510	1510
	16	Tire Size	front		18x7-8	200/50-10	200/50-10	
	17		rear		16x6-8	16x6-8	16x6-8	
	18	Tread Width	front		36.4 925	36.0 915	36.0 915	915
	19		rear		34.6 880	34.6 880	34.6 880	880
Mast	20	Max. Fork Height	with std 2-stage mast	in [mm]	118.1 3000	118.1 3000	118.1 3000	3000
	21	Freelift	with std 2-stage mast	in [mm]	5.3 135	5.3 135	5.5 140	140
	22	Height, Upright Lowered	with std 2-stage mast	in [mm]	80.5 2045	80.5 2045	80.5 2045	2045
	23	Height, Upright Extended	with std 2-stage mast	in [mm]	161.0 4090	161.0 4090	161.0 4090	4090
	24	Mast Tilt, Fwd/Back	with std 2-stage mast	deg	6° / 7°	6° / 7°	6° / 7°	
	25	Carriage	ISO Class		II	II	II	
	26		width	in [mm]	40.9 1040	40.9 1040	40.9 1040	1040
	27	Fork Spread	minimum	in [mm]	8.7 222	8.7 222	8.7 222	222
	28		maximum	in [mm]	39.8 1010	39.8 1010	39.8 1010	1010
	29	Fork Dimensions		in	1.4 x 3.9 x 36.2	1.4 x 3.9 x 36.2	1.6 x 3.9 x 42.1	
30			mm	35 x 100 x 920	35 x 100 x 920	40 x 100 x 1070		
Chassis	31	Length to Fork Face	with std 2-stage mast	in [mm]	78.7 2000	78.7 2000	85.6 2175	2175
	32	Overall Width		in [mm]	43.7 1110	43.7 1110	43.7 1110	1110
	33	Overhead Guard Height		in [mm]	79.7 2025	79.7 2025	79.7 2025	2025
	34	Turning Radius	minimum outside	in [mm]	73.2 1860	73.2 1860	80.7 2050	2050
	35	Fork Overhang	with std 2-stage mast	in [mm]	15.2 385	15.2 385	15.4 390	390
	36	Right Angle Stack	add load length and clearance	in [mm]	91.5 2325	91.5 2325	93.3 2370	2370
	37	Ground Clearance	minimum loaded	in [mm]	2.4 60	2.4 60	2.4 60	60
	38		center of wheelbase	in [mm]	4.1 105	4.1 105	4.1 105	105
	39	Battery Compartment	length (front-to-back)	in [mm]	22.8 580	22.8 580	29.5 750	750
	40		width (side-to-side)	in [mm]	33.3 845	33.3 845	33.3 845	845
	41		height	in [mm]	28.3 720	28.3 720	28.3 720	720
Performance	42	Travel Speed	loaded	mph[km/h]	9.3 15	9.3 15	9.3 15	15
	43		unloaded	mph[km/h]	9.3 15	9.3 15	9.3 15	15
	44	Lift Speed	loaded	fpm[m/s]	68.9 0.35	68.9 0.35	68.9 0.35	0.35
	45		unloaded	fpm[m/s]	98.4 0.5	98.4 0.5	98.4 0.5	0.5
	46	Lower Speed	loaded	fpm[m/s]	98.4 0.5	98.4 0.5	98.4 0.5	0.5
	47		unloaded	fpm[m/s]	78.7 0.4	78.7 0.4	78.7 0.4	0.4
	48	Max. Drawbar Pull	5 min. rating	lbs [kg]	2811 1275	2811 1275	2811 1275	1275
	49		60 min. rating	lbs [kg]	697 316	664 301	630 286	286
	50	Max. Gradeability	5 min. rating	%	20	20	20	
	51		60 min. rating	%	5.2	3.8	3	
Systems	52	Brakes	service		Foot / Wet Disc	Foot / Wet Disc	Foot / Wet Disc	
	53		parking		Hand / Mech	Hand / Mech	Hand / Mech	
	54	Controllers	drive (make, type)		SME, AC	SME, AC	SME, AC	
	55		hydraulic (make, type)		SME, AC	SME, AC	SME, AC	
	56	Motors	drive output (60 min. rating)	HP[kw]	17.4 13	17.4 13	17.4 13	13
	57		hydraulic output (15 min. rating)	HP[kw]	20.1 15	20.1 15	20.1 15	15
	58	Battery	type		Lead Acid	Lead Acid	Lead Acid	
	59		voltage		48	48	48	
	60		max. capacity (6 hour rating)	Ah[kwh]	480 23.1	540 25.9	600 28.8	28.8
	61	Hydraulic Pressure	weight, minimum	lbs [kg]	1433 650	1543 700	1874 850	850
	62		weight, maximum	lbs [kg]	2028 920	2028 920	2646 1200	1200
	63	Hydraulic Pressure	system	psi[bar]	2103 145	2509 173	2625 181	181
	64		attachment	psi[bar]	2103 145	2509 173	2625 181	181



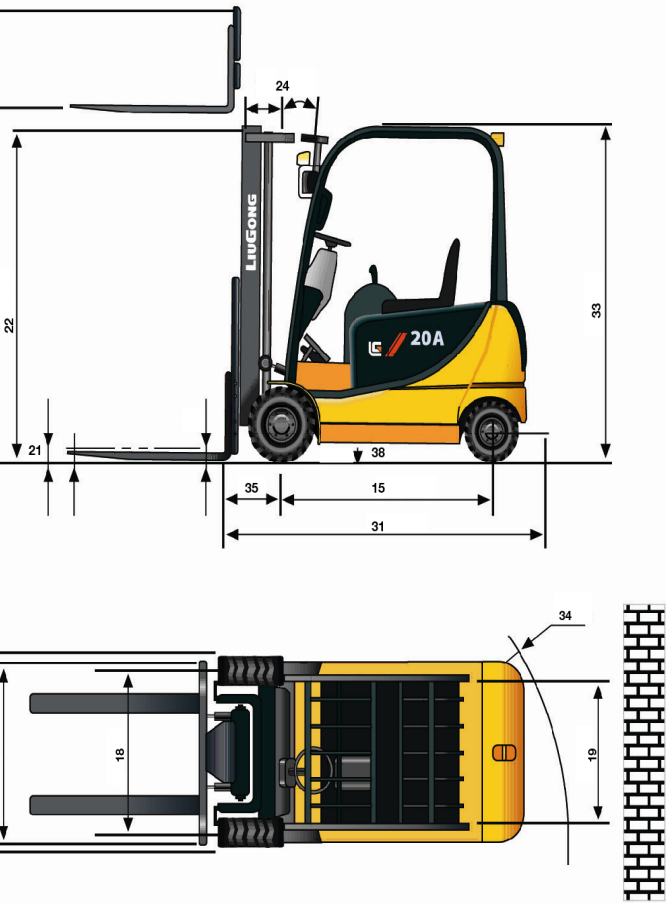
Note: Dimension and specs are nominal values.

**AVAILABLE OPTIONS**  
Contact your local LiuGong distributor for more information on the options available for your application. Some options may not be available in all markets.

- Standard two-stage mast
- Sideshifter carriage
- Dual function auxiliary hydraulics
- Variety of fork styles
- Solid pneumatic tires
- Full suspension system
- Warning lights
- Fire extinguisher

Mast Type	Maximum Fork Height (MFH)		Maximum Load Capacity (MLC)
	mm	in	
Standard 2-Stage	3000	118.1	2045
	3300	129.9	2195
	3500	137.8	2295
	4000	157.5	2595
Full Free 2-Stage	3000	118.1	2045
Full Free 3-Stage	4500	177.2	2130
	4800	189.0	2230
	5000	196.9	2290
	5500	216.5	2460
	6000	236.2	2835





Performance values are subject to change without notice. Performance values and may vary by machine.

**OPTIONS**  
 Liugong dealer for options available to optimize your Liugong forklift to your application. Some of the factory options available are listed here.

...ge, full-free two-stage and three-stage masts up to 6.0M lift height  
 ...es  
 ...iary hydraulic valve and hosing  
 ...es and lengths  
 ...res  
 ...at

Lift Height	Free Lift (FL) with Load Backrest* (2015A&2018A/2020A)		Mast Tilt Angle (F/B)	2015A Total Weight with Standard Forks		2018A Total Weight with Standard Forks		2020A Total Weight with Standard Forks		
	in	mm		in	degrees	kg	lbs	kg	lbs	kg
5	80.5	135/140	5.3/5.5	6 / 7	3050	6724	3300	7275	3600	7937
5	86.4	135/140	5.3/5.5	6 / 7	3070	6768	3320	7319	3620	7981
5	90.4	135/140	5.3/5.5	6 / 7	3090	6812	3340	7363	3640	8025
5	102.2	135/140	5.3/5.5	6 / 7	3115	6867	3365	7418	3665	8080
5	80.5	965	38.0	6 / 7	3050	6724	3300	7275	3600	7937
10	83.9	1045	41.1	3 / 6	3445	7595	3695	8146	3995	8807
10	87.8	1145	45.1	3 / 6	3465	7639	3715	8190	4015	8851
10	90.2	1205	47.4	3 / 6	3475	7661	3725	8212	4025	8874
10	96.9	1730	68.1	3 / 6	3560	7848	3810	8400	4110	9061
15	111.6	1830	72.0	3 / 6	3640	8025	3890	8576	4190	9237



# 2015-20A

Electric 4-wheel Pneumatic Tire Forklifts



## DRIVELINE

- SME AC Control System (1)  
AC dual drive motors (brushless)  
AC hydraulic motor (brushless)

The Italian made SME control system provides state-of-the-art technology for maximum performance and efficiency and features three performance modes. The SME “EYE” diagnostic software allows for quick and accurate parameter changes and diagnostic troubleshooting.

The 100% AC system eliminates motor brushes to maximize performance and minimize maintenance. The dual drive motors allow the drive tires to counter-rotate for exceptional maneuverability.

Sealed wet-disc brakes virtually eliminate down-time and expenses associated with brake adjustment and repairs.

## CHASSIS

The frame structure was designed using Computer Aided Engineering (CAE) software for increased strength and durability. Open step and spacious foot room allow for easy access and comfortable operation for the operator.

Heavy duty fabricated steer axle features hydrostatic steering and tapered roller bearings for ease of operation and long service life. The cushion mounted overhead guard minimizes vibration making the operator more comfortable and productive. (2)

The spacious battery compartment allows for battery capacities of 540Ah (up to 1.8 tons) or 690Ah (up to 2 tons) for extended operation.

## MAST

Our masts feature wide channel spacing and the secondary lift

chains and auxiliary hydraulics are mounted at 90 degrees behind the channels on the three stage masts for improved forward visibility. The fork carriage and mast channels have large side thrust rollers for strength, high reliability and are located for easy service.

## OPERATOR COMPARTMENT

The seat side hydraulic controls combine ergonomics and simplicity to provide a cost effective and reliable system that maximizes operator productivity. Directional change is performed via the yellow thumb-switch on the lift lever for easy operation. (5)

The operator presence system provides additional protection for the operator by cutting power to the drive motors and locking out the hydraulic operation when the operator leaves the seat. A warning alarm also notifies the operator to set the park brake before leaving the machine unattended.

The full-suspension seat provides world-class comfort, which is adjustable for weight, leg room and back angle. (3)

The informative instrument panel is mounted on the cowl and features: battery level indicator, hour meter, fault code display, turn signal indicators, system warning, park brake set indicator, low brake fluid, travel speed, OPS function, steer angle indicator and maintenance due indicator. (4)

## EXTRAS

The standard light package includes two front combination flood/turn signal lights and the LiuGong rear light bar which features LED turn/brake/back-up lights. All electrical components use automotive style sealed connectors for high reliability.

## A STRONG FOUNDATION. A STRONG FUTURE.

LiuGong was founded in 1958 in Liuzhou, China. Since then, we have become one of the world’s most respected, premier heavy equipment and industrial equipment manufacturers. LiuGong engineers simple, serviceable designs that are reliable and remarkably durable.

Today, LiuGong employs more than 14,000 including over 1,000 engineers working in three world-class research and development facilities around the world.

When you purchase a LiuGong machine, you get an easy to own, easy to maintain piece of equipment and you join forces with a company that has spent the past 50 years dedicating itself to making your job easier. Learn more about LiuGong at [www.liugongna.com](http://www.liugongna.com)

## LIUGONG SERVICE AND SUPPORT, LIKE NO OTHER.

We don’t just provide a world-class machine; we provide all the service and support you need. With over 2,650 sales outlets, 380 dealers, 24 manufacturing facilities, 10 regional parts depots and nine global offices located strategically throughout the world we ensure rapid replacement of parts and servicing of equipment. We have all your local service and support needs covered.

With LiuGong, you know you’ll get the personal attention you deserve because you don’t have time for anything less.

Contact your local LiuGong Forklift dealer for more information.